

## Turret levers

Steel, blackened

### SPECIFICATION

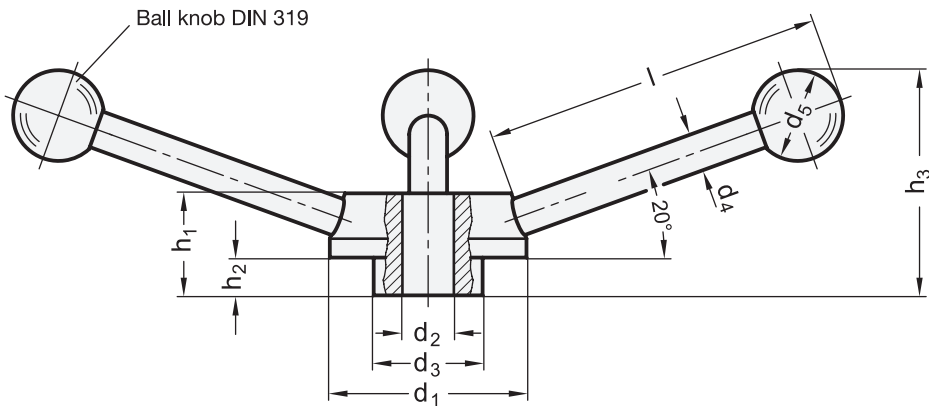
Steel  
blackened  
Ball knobs DIN 319 (see page 538)  
Plastic, Duroplast  
black, shiny finish

### INFORMATION

Turret levers GN 213 can also be supplied as standard with:  
Square DIN 79 **V** + Bore-Ø  
Keyway DIN 6885 **K** + Bore-Ø

### TECHNICAL INFORMATION

- Keyway P9 DIN 6885 (see page A16)
- ISO Fundamental Tolerances (see page A21)



### GN 213

Description	d1	d2 H7	d3	d4	d5	h1	h2	h3 ≈	l ≈	⚖
GN 213-50-B12	50	B 12	28	8	20	26	9	53	82	382
GN 213-50-V12	50	V 12	28	8	20	26	9	53	82	375
GN 213-50-K12	50	K 12	28	8	20	26	9	53	82	380
GN 213-55-B14	55	B 14	30	10	25	28	10	61	96	544
GN 213-55-V14	55	V 14	30	10	25	28	10	61	96	536
GN 213-55-K14	55	K 14	30	10	25	28	10	61	96	541
GN 213-60-B15	60	B 15	32	10	25	30	11	64	96	633
GN 213-60-V15	60	V 15	32	10	25	30	11	64	96	590
GN 213-60-K15	60	K 15	32	10	25	30	11	64	96	630
GN 213-65-B16	65	B 16	35	12	30	32	12	71	110	848
GN 213-65-V16	65	V 16	35	12	30	32	12	71	110	833
GN 213-65-K16	65	K 16	35	12	30	32	12	71	110	860
GN 213-72-B18	72	B 18	40	12	32	36	14	80	124	1097
GN 213-72-V18	72	V 18	40	12	32	36	14	80	124	1087
GN 213-72-K18	72	K 18	40	12	32	36	14	80	124	1092
GN 213-80-B20	80	B 20	44	14	35	40	16	89	138	1531
GN 213-80-V20	80	V 20	44	14	35	40	16	89	138	1517
GN 213-80-K20	80	K 20	44	14	35	40	16	89	138	1525
GN 213-100-B24	100	B 24	54	16	40	52	24	113	170	2781
GN 213-100-V24	100	V 24	54	16	40	52	24	113	170	2769
GN 213-100-K24	100	K 24	54	16	40	52	24	113	170	2775